

DRM95-20A INSTALLATION INSTRUCTIONS



 **To be installed by a licensed electrician only.**

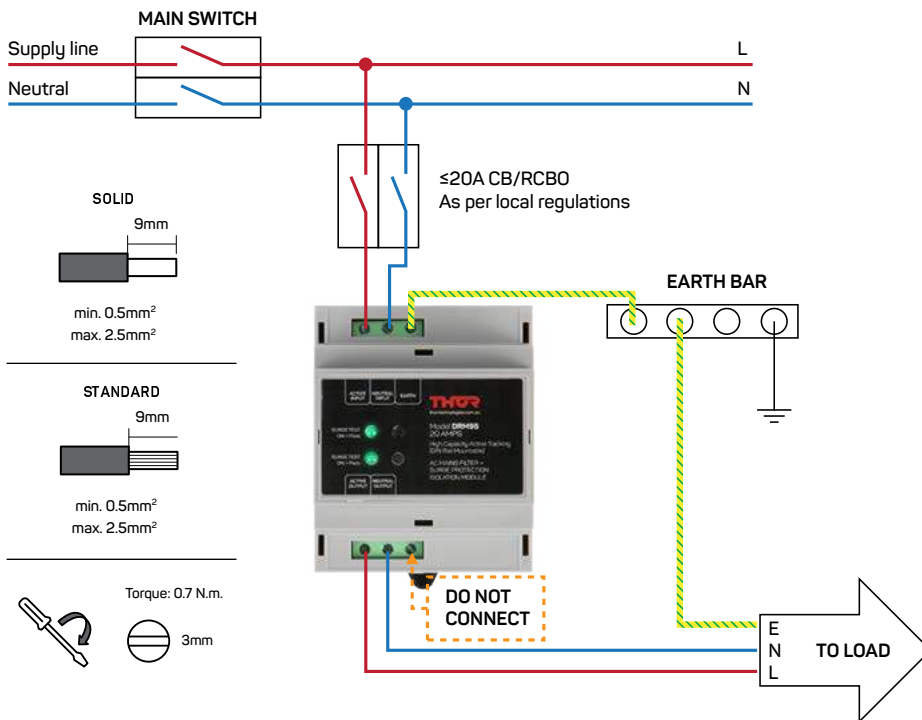
DISCLAIMER

This guide has been compiled as a connection guide only for Thor Technologies hardware product DRM95-20A. It is not a guide or instruction for the configuration/orientation of a switchboard or any of the fittings used therein. Each CB/RCD/RCBO has some variations as to the wiring. Please read the instructions of the safety device before installing with a DRM95-20A.

All installation and service relating to the DRM95 series must be carried out by a licensed electrician.

All applicable local, regional and national regulations must be followed during the installation, use and service of the device.

WIRING INSTRUCTIONS



PLEASE NOTE

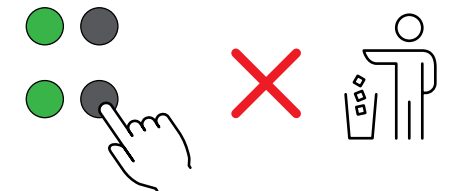
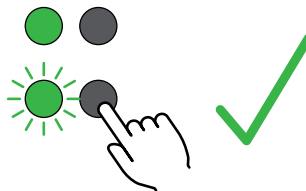
The neutral connection output from the Thor Technologies hardware product DRM95-20A must be used as a totally isolated neutral out for the circuit being protected/filtered output. Do not return the neutral out from the DRM95-20A to the common neutral bar or cross wire into existing circuits where that circuit's neutral is returned to the common neutral bar at the switchboard. If wired incorrectly, it may cause damage to the product or installation location. Installer created or existing installation problems are not covered by Thor Technologies product warranties written, implied or otherwise.

Do not connect the unmarked output terminal of the product and identified in the wiring diagram. The Earth connection for your final circuit must be connected from the Main Earth bar in the switchboard and not from the DRM95-20A.

TESTING PROTECTION

To test the Surge protection Status, push one of the test buttons on the front of the device and observe the LED adjacent. If the LED illuminates, the Surge protection is functioning. Repeat using the other button.

If one of the LEDs remains unlit, the surge protection has been exhausted, and the device needs to be replaced.



SUPPORT AND INFORMATION
For further information and support scan the QR code or contact us.

IEC 61643-11 : CLASS II



THOR Technologies Pty Ltd.
PO Box 95, Karrinyup Western Australia 6921
thortechnologies.com.au



AUSTRALIAN DESIGNED
AND ENGINEERED
Made in China

In the interest of product improvement and development THOR Technologies reserves the right at any time to modify or alter product design.

DRM95-20A: IS-V3.0