



THOR TECHNOLOGIES

## HARD WIRE PRODUCT DRM95-20A CONNECTION GUIDE



### **DISCLAIMER:**

This guide has been compiled as a connection guide only for Thor Technologies hardwire product DRM95-20A. It is not a guide or instruction for the configuration/orientation of a switchboard or any of the fittings used therein.

The important parts are highlighted in the wiring diagrams for the Thor Technologies DRM95-20A

Each CB\*/RCD\*/RCBO has some variations as to the wiring. Please read the instructions of the safety device before installing with a DRM95-20A.

All wiring must be carried out by a licenced electrician and all work is subject to regulations in each state or territory.

### **Special instructions for all Thor Technologies hardware products:**

The neutral connection output from the Thor Technologies hardware product DRM95-20A must be used as a totally isolated neutral out for the circuit being protected/filtered output.

*Do not return the neutral out from the DRM95-20A to the common neutral bar or cross wire into existing circuits where that circuit's neutral is returned to the common neutral bar at the switchboard. Doing so will cause the product to overheat and subsequently fail. If wired incorrectly with continuous current draw it may cause the casing to melt or lead to other major problems.*

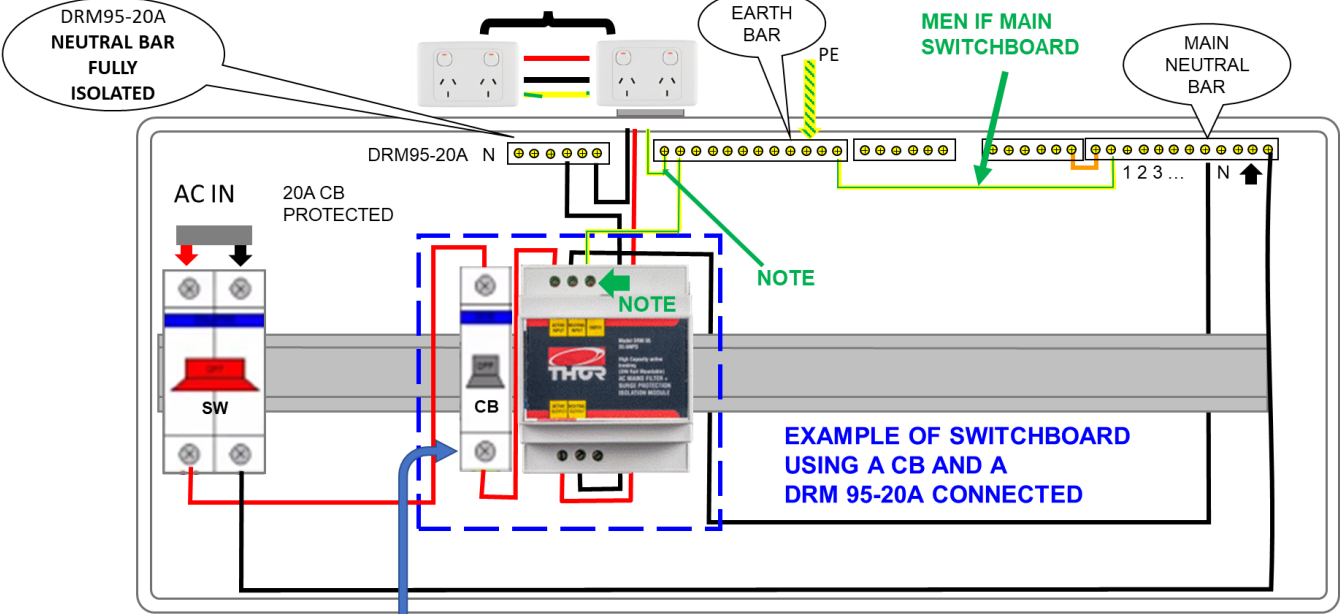
Installer created or existing problems are not covered by Thor Technologies product warranties written, implied or otherwise.

The DRM95-20A circuit should be totally independent and isolated.

All drawings subject to change without notice.

\*shown on diagram

**FILTERED & SURGE PROTECTED OUTLETS**      **20A MAX PER CIRCUIT NOT PER OUTLET**

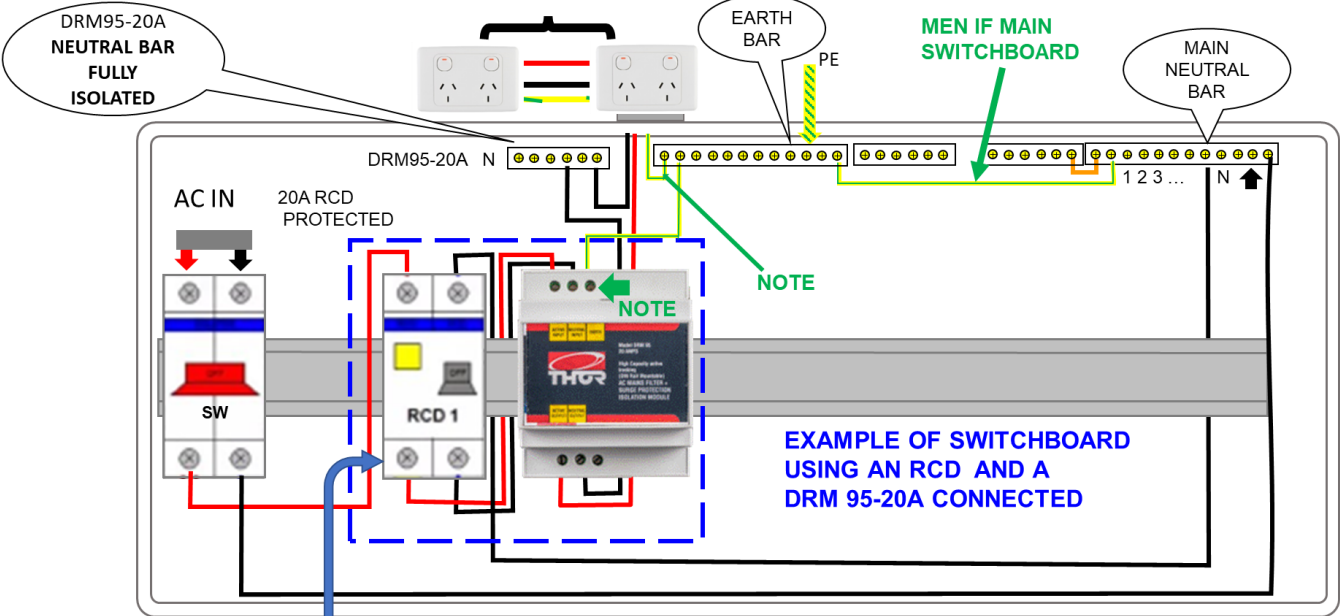


20A CB can be used  
Subject to Regulations

**NOTE: EARTH CONNECTION REQUIRED INPUT ONLY ... FOR OUTPUTS USE EARTH BAR**

**GUIDE ONLY FOR THOR DRM95-20A ... ALL WIRING SUBJECT TO REGULATIONS IN EACH STATE AND TERRITORY**

**FILTERED & SURGE PROTECTED OUTLETS**      **20A MAX PER CIRCUIT NOT PER OUTLET**



A 20A RCD is BEST and can be used  
Subject to Regulations

**NOTE: EARTH CONNECTION REQUIRED INPUT ONLY ... FOR OUTPUTS USE EARTH BAR**

**GUIDE ONLY FOR THOR DRM95-20A ... ALL WIRING SUBJECT TO REGULATIONS IN EACH STATE AND TERRITORY**